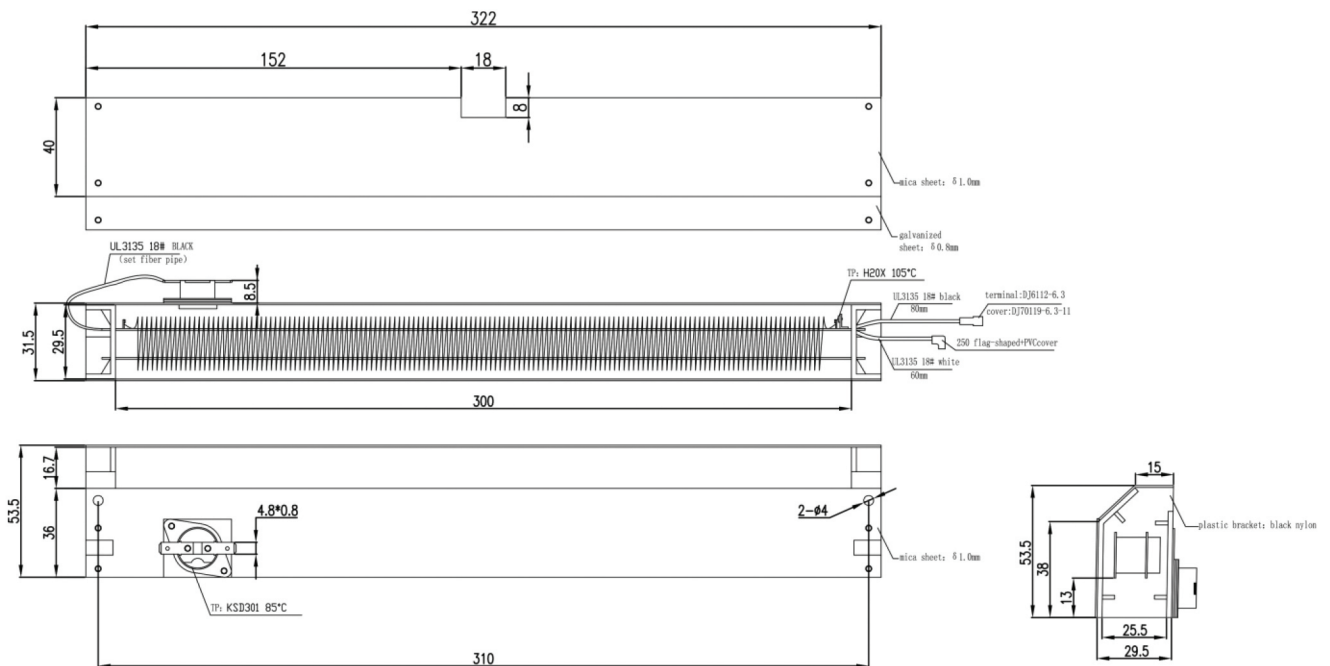
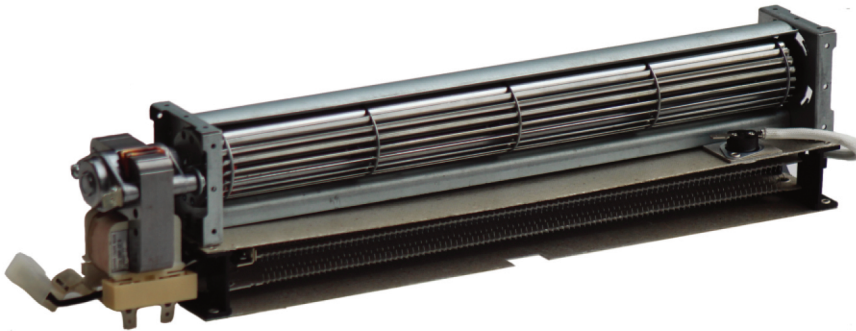


Cross Flow Blower With heater

Model: SM - 30300H



Technological datas



Dimension:mm

Model	Power Supply		Input Power	Output Power	Max. Airflow		Max. Static Pressure		Noise Level
	Volts	Freq'y			Metric	American	Metric	American	
SM - 6115 - 30300H	VAC	Hz	Watts	rpm	m ³ /h	inH ₂ O	Pa	inH ₂ O	dB(A)
	220	50	16	1000	90	53	13	0.0523	30

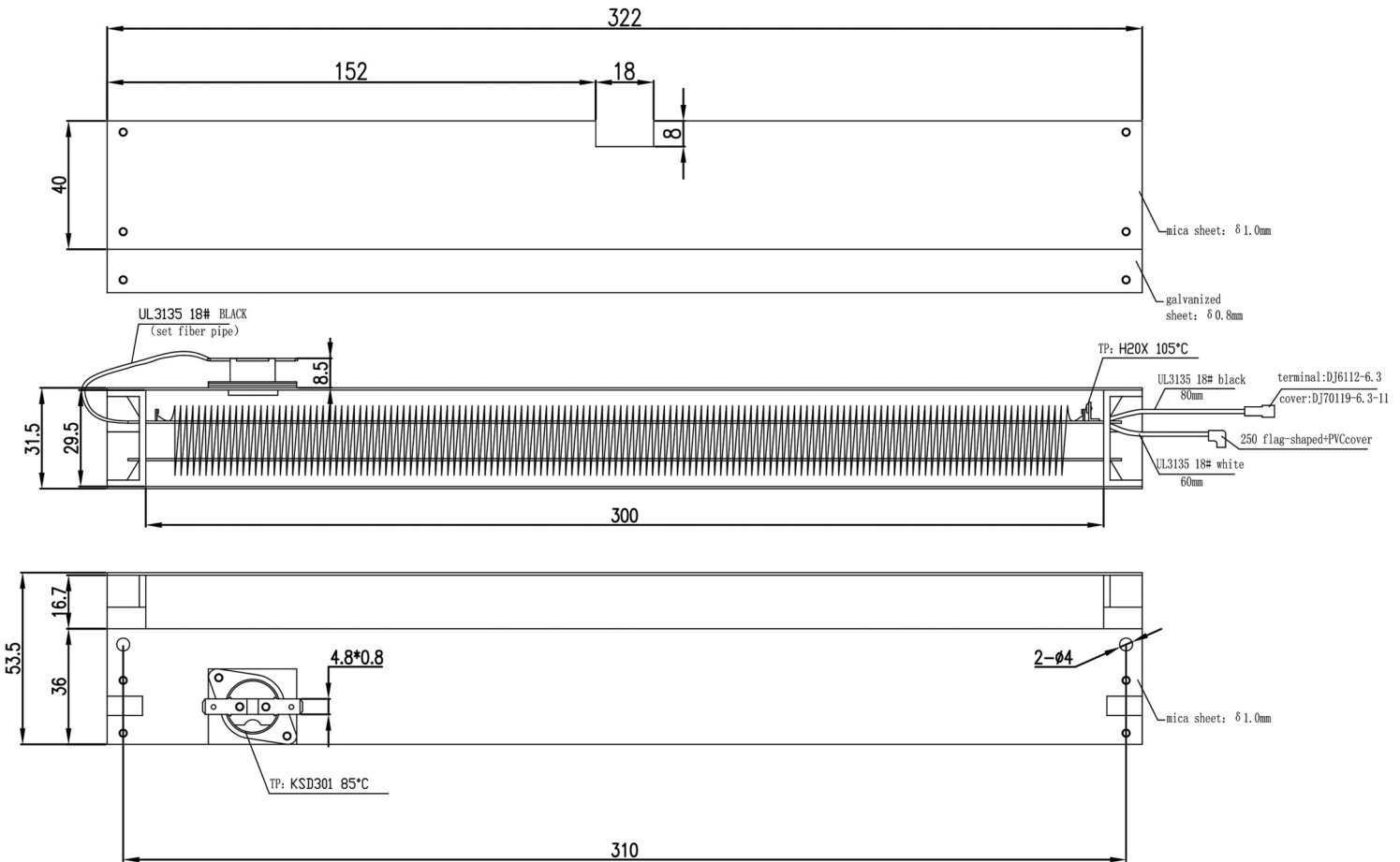
Other specifications are also available on request.

We bring you not only the **motor**
But also the **solution !**

Shaded Pole Motor

heater

Model: SM - 30300H

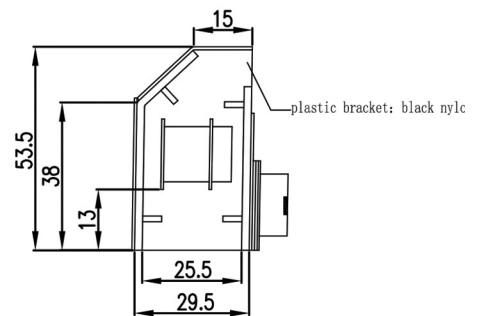


NOTE:

"*" DENOTES SPECIAL CHARACTERISTIC OR CRITICAL ITEM
TO BE CONTROLLED

PS

- 1、The resistance wire is evenly wound and there is no wire collision, there should be a proper distance between the charged body and the upper and lower connector.
- 2、The thermostat riveting is reliable and fixed without looseness.
- 3、All parts must conform to ROHS.
- 4、Appearance without defect, no dirt, solid riveting between bracket and bottom panel, no looseness
- 5、Rated power of heating wire: 220V 370W (range: 330-400W)



Technical Drawing Heater S682

DO NOT SCALE DRAWING		UNSPECIFIED TOLERANCE(ISO 2768-1)			
UNIT: mm	SCALE: NTS	ANG. TOLERANCE	DIM. TOLERANCE		
PROJECT NO.:		~10	±3°	0.5~6	±0.1
		>10~50	±2°	>6~30	±0.2
		>50~120	±1°	>30~120	±0.3
		>120~400	±30'	>120~400	±0.5
		>400	±20'	>400~1000	±0.8
WWW.SAMYARGROUP.COM					



Samyar Industries Group Co.

PROFESSIONAL MOTOR DESIGNER & MANUFACTURER

گروه تولیدی سامیار صنعت زاگرس (سهایه خاص)



Tel: +98 21 88800225

Fax: +98 21 88895050

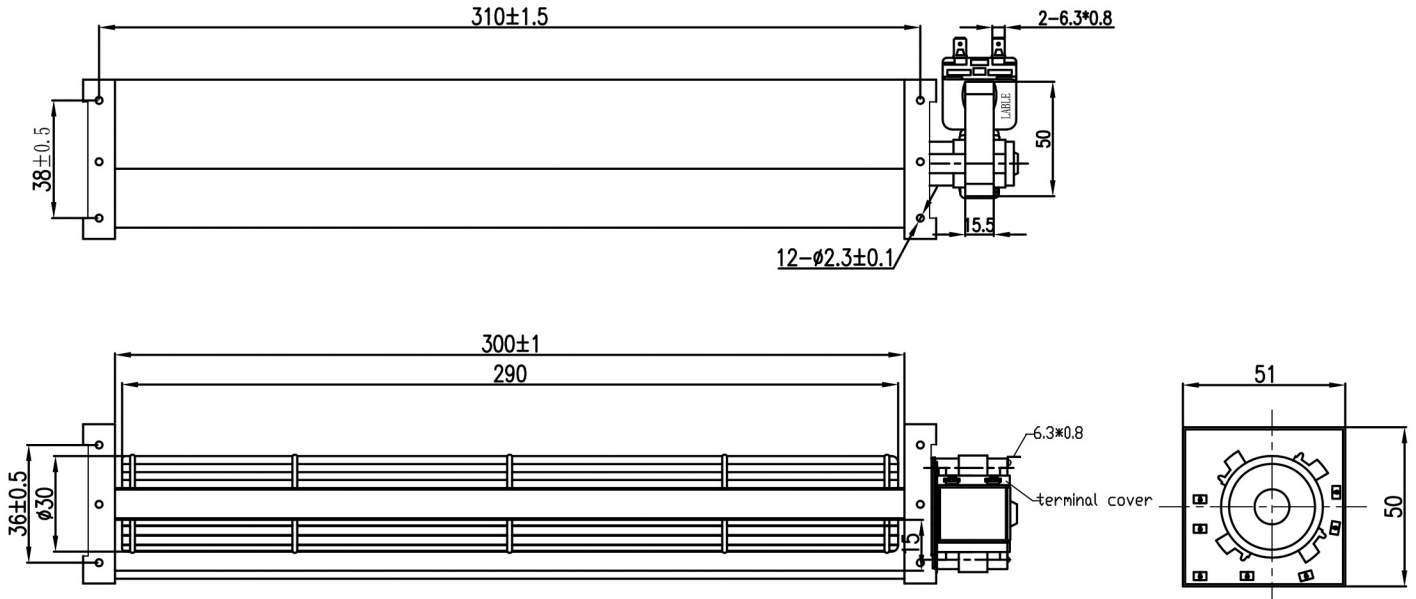
INFO@SAMYARGROUP.COM

We bring you not only the **motor**
But also the **solution** !

Shaded Pole Motor

Cross Flow Blower With heater

Model: SM - 30300H




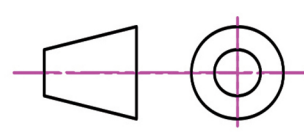

NOTE:

** " DENOTES SPECIAL CHARACTERISTIC OR CRITICAL ITEM
TO BE CONTROLLED

NOTES:

- | | |
|-----------------------|---------------------------------|
| 1) SUPPLY: 220V/50Hz | 5) INSULATION DEGREE: CLASS 'B' |
| 2) INPUT POWER: ≤12W | 6) TEMPERATURE RISE: ≤85K |
| 3) CURRENT: ≤0.11A | 7) HI-POT: 1800V/1S |
| 4) SPEED: 2500±10%RPM | 8) START VOLTAGE: ≤176V |
| | 9) NOISE: ≤45dB |

Technical Drawing Of 30300 Cross FLOW Blower With Heater S682

DO NOT SCALE DRAWING		UNSPECIFIED TOLERANCE(ISO 2768-1)				 <p>Samyar Industries Group Co. PROFESSIONAL MOTOR DESIGNER & MANUFACTURER گروه تولیدی سامیار صنعت زاگرس (سهامی خاص)</p>
UNIT: mm	SCALE: NTS	ANG. TOLERANCE	DIM. TOLERANCE			
		~10	±3°	0.5~6	±0.1	 <p>Tel: +98 21 88800225 Fax: +98 21 88895050</p>
		>10~50	±2°	>6~30	±0.2	
		>50~120	±1°	>30~120	±0.3	
		>120~400	±30'	>120~400	±0.5	
		>400	±20'	>400~1000	±0.8	
<p>WWW.SAMYARGROUP.COM INFO@SAMYARGROUP.COM</p>						