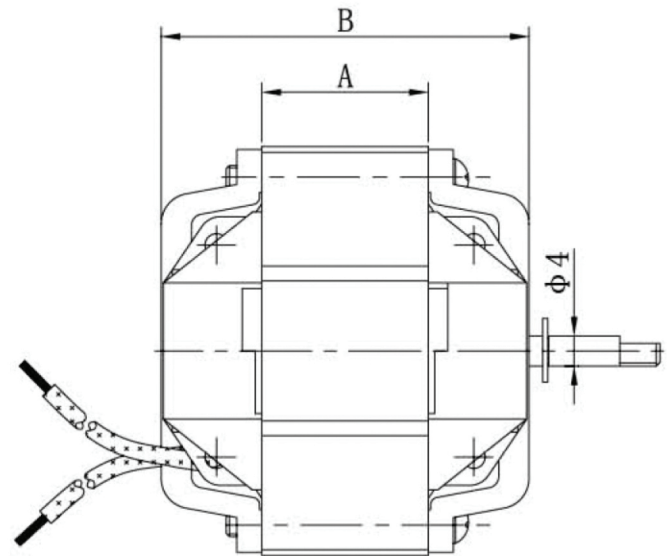
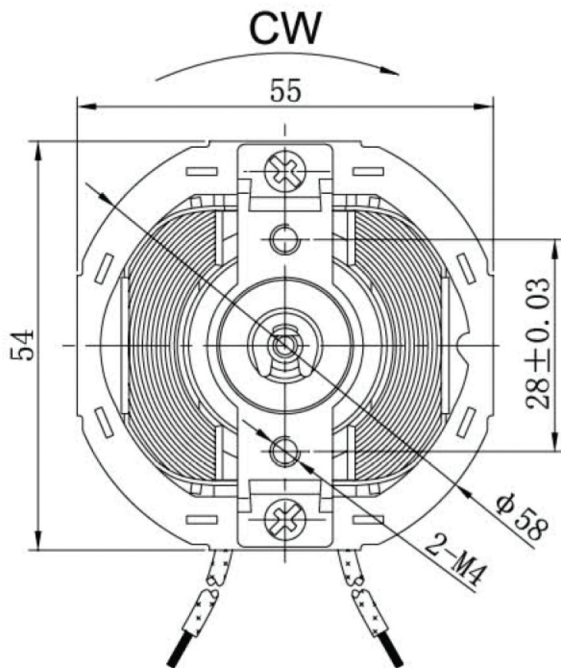
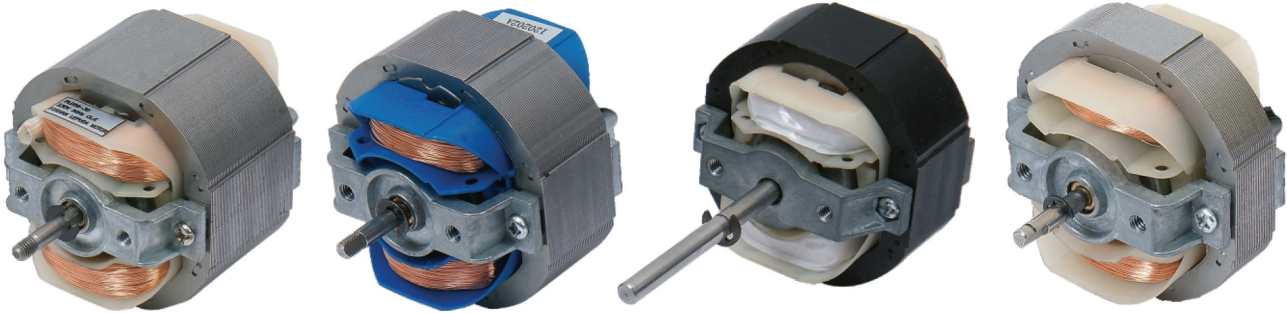


Fan Motor 58 Series Ventilation Fan Motor

Model: SM 5810 ~ 5835



Technological datas



Dimension:mm

Model	Dim A	Dim B	Dim D	Volt.(V)	Freq.(Hz)	Max Torque(g.cm)	Max Input Power(W)	Max Output Power(W)
SM-58-10	10.5	36.5	4.0	220	50	80	15	2.0
SM-58-12	12.5	38.5	4.0	220	50	90	18	3.0
SM-25-16	16.5	42.5	4.0	220	50	110	22	4.5
SM-58-20	20.5	46.5	4.0	220	50	130	28	6.3
SM-58-25	25.5	51.5	4.0	220	50	150	32	8.0
SM-58-30	30.5	56.5	4.0	220	50	170	38	10.5
SM-58-35	35.5	61.5	4.0	220	50	190	45	12.5

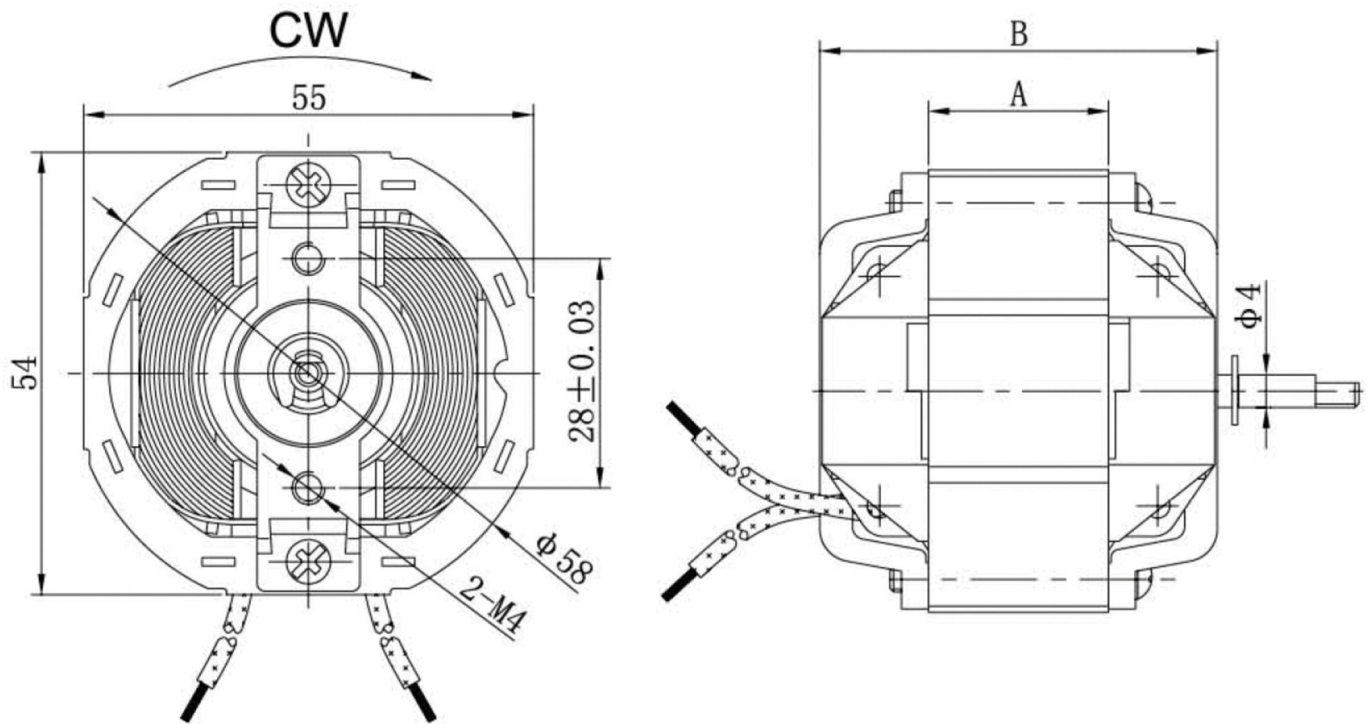
Other specifications are also available on request.

We bring you not only the **motor**
But also the **solution** !

Shaded Pole Motor

Fan Motor 58 Series Ventilation Fan Motor

Model: SM 5810 ~ 5835



Technical Drawing Fan Motor 58 Series Vantilation Fan Motor

DO NOT SCALE DRAWING		UNSPECIFIED TOLERANCE(ISO 2768-1)			
UNIT: mm	SCALE: NTS	ANG. TOLERANCE	DIM. TOLERANCE		
PROJECT NO.:		~10	±3°	0.5~6	±0.1
		>10~50	±2°	>6~30	±0.2
		>50~120	±1°	>30~120	±0.3
		>120~400	±30'	>120~400	±0.5
		>400	±20'	>400~1000	±0.8
		Samyar Industries Group Co. PROFESSIONAL MOTOR DESIGNER & MANUFACTURER گروه تولیدی سامیار صنعت زاگرس (سهامی خاص)			
				Tel: +98 21 88800225 Fax: +98 21 88895050	
		WWW.SAMYARGROUP.COM		INFO@SAMYARGROUP.COM	

Other specifications are also available on request.