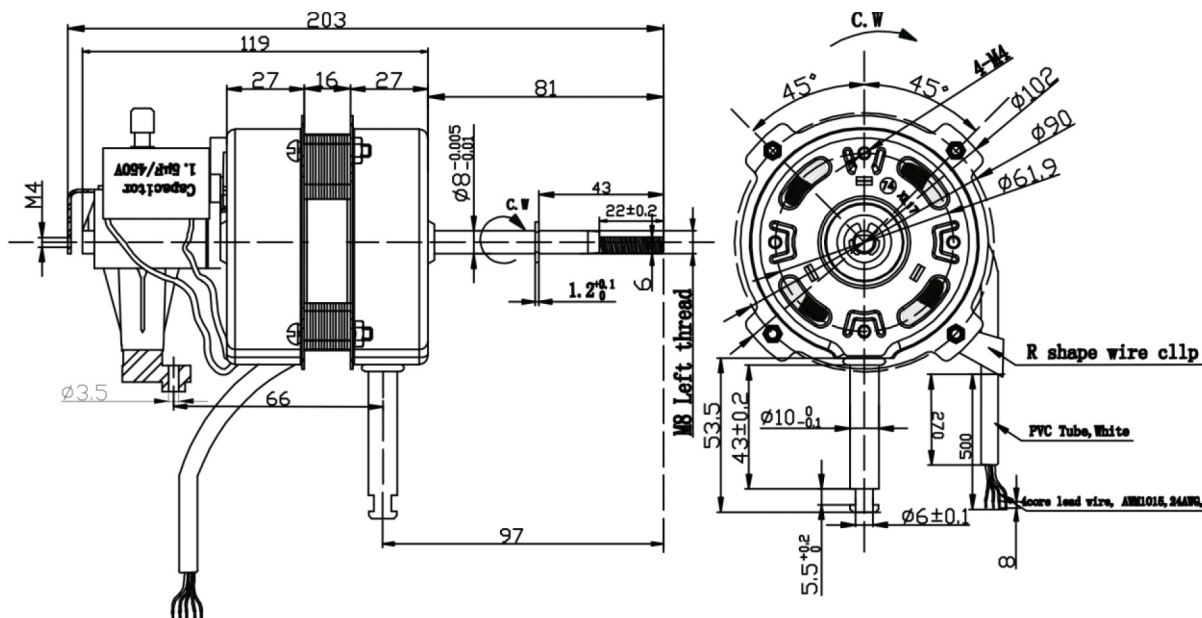
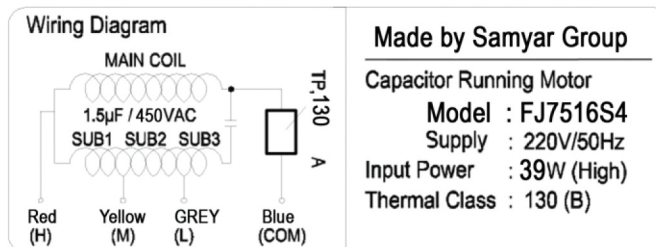


## Fan Motor

Model: SM - 7516S4



### Technological datas



Dimension:mm

Model	Raed Supply		Speed Level	Current	NO LOAD Speed	Power	Current	ON LOAD Speed	Power
	Voltage (VAC)	Frequency (Hz)							
SM-7516S4	220	50	High	0.147	1400	31	0.180	1600	39
	220	50	Middle	0.119	1400	25	0.163	1000	35
	220	50	Low	0.105	1400	21	0.150	700	32

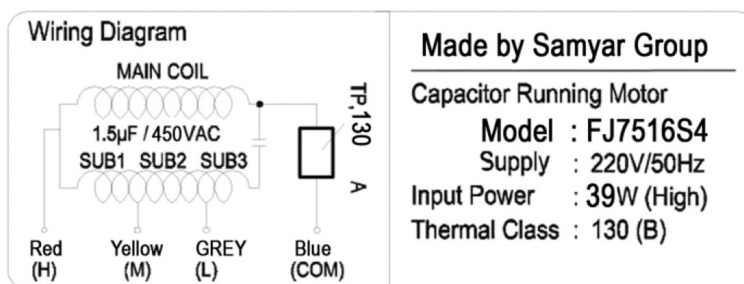
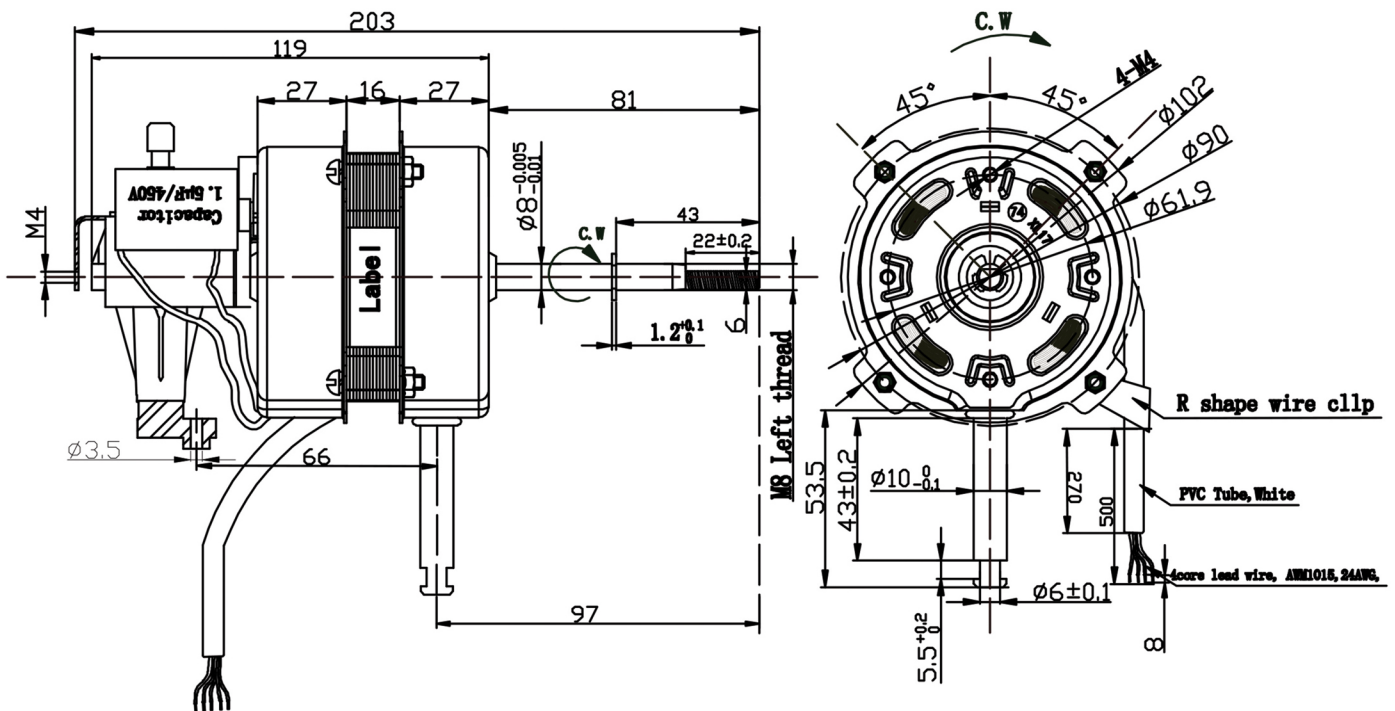
Other specifications are also available on request.

We bring you not only the **motor**  
But also the **solution** !

Capacitor Running Motor

## Fan Motor

Model: SM - 7516S4



### Technical Drawing Fan Motor

DO NOT SCALE DRAWING		UNSPECIFIED TOLERANCE(ISO 2768-1)			
UNIT: mm	SCALE: NTS	ANG. TOLERANCE	DIM. TOLERANCE		
PROJECT NO.:		~10	$\pm 3^\circ$	0.5~6	$\pm 0.1$
		>10~50	$\pm 2^\circ$	>6~30	$\pm 0.2$
		>50~120	$\pm 1^\circ$	>30~120	$\pm 0.3$
		>120~400	$\pm 30'$	>120~400	$\pm 0.5$
		>400	$\pm 20'$	>400~1000	$\pm 0.8$
<b>WWW.SAMYARGROUP.COM</b>					



**Samyar Industries Group Co.**

PROFESSIONAL MOTOR DESIGNER & MANUFACTURER

گروه تولیدی سامیار صنعت زاگرس (سهامی خاص)



Tel: +98 21 88800225

Fax: +98 21 88895050

INFO@SAMYARGROUP.COM